

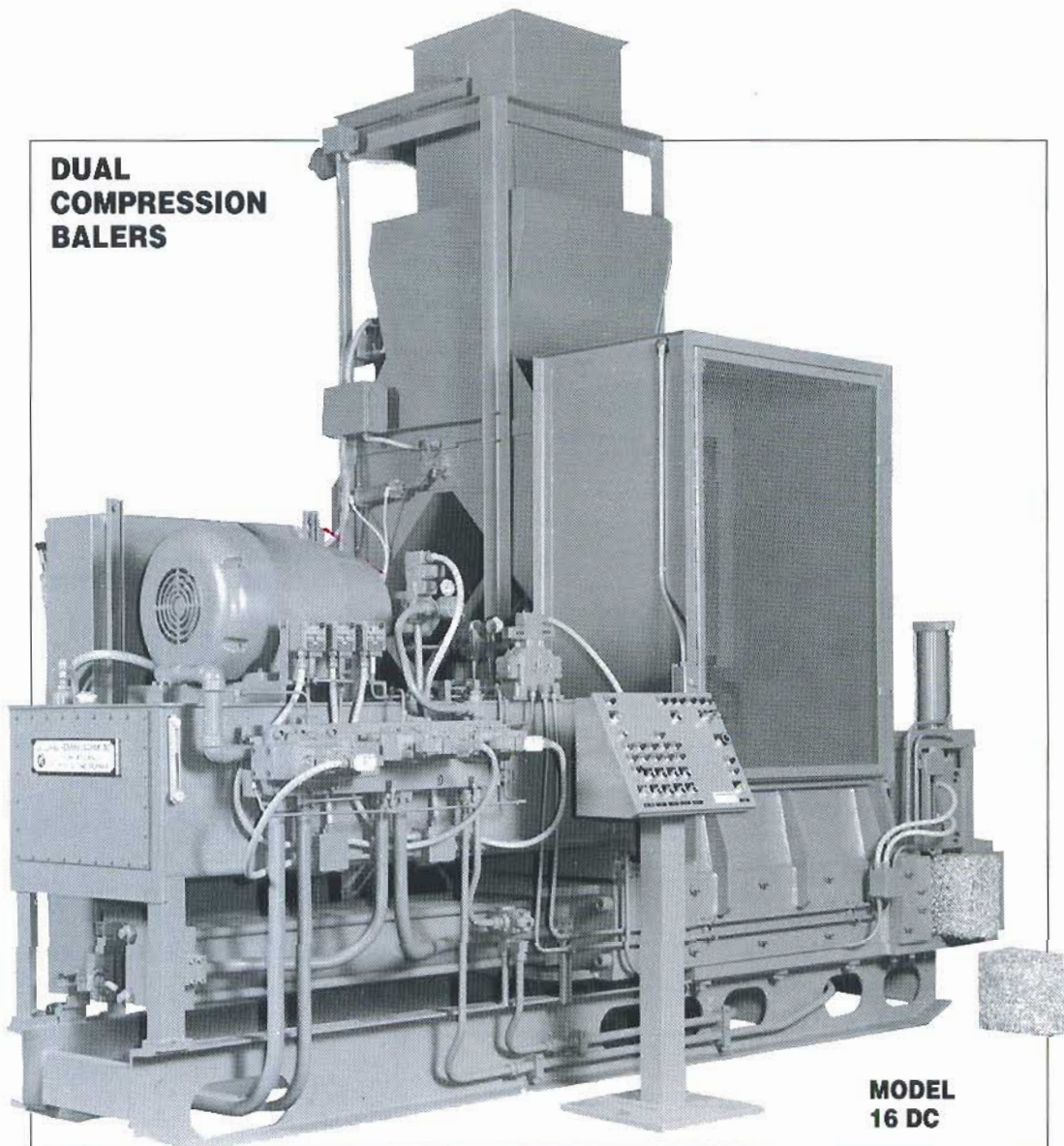
GALLAND



HENNING

SERIES DC

**DUAL
COMPRESSION
BALERS**



**MODEL
16 DC**

GALLAND HENNING NOPAK, Inc.

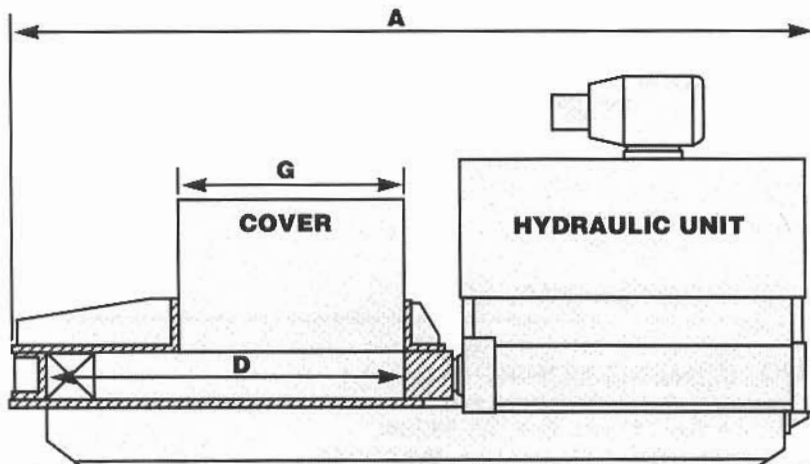
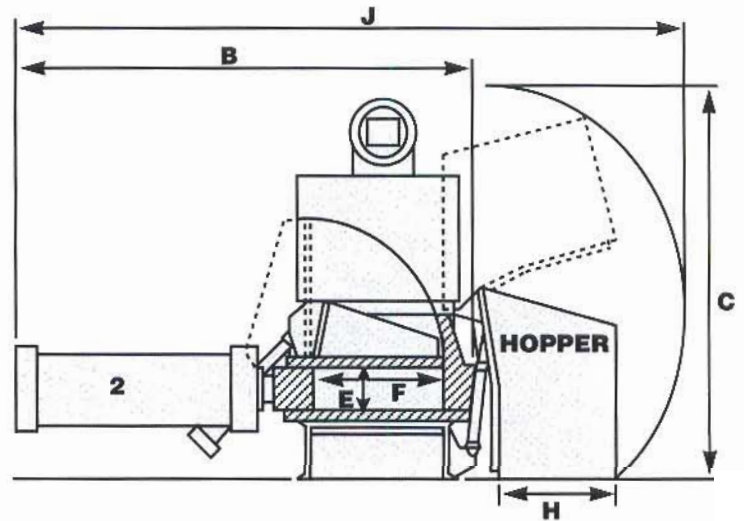
P.O. Box 343917 ■ West Milwaukee, WI 53234
1025 South 40th Street ■ West Milwaukee, WI 53215
PHONE: 414-645-6000 ■ FAX: 414-645-6048

SCRAP PROCESSING EQUIPMENT

DUAL COMPRESSION BALERS

Baler Model	Overall Length "A"	Press Box Width "B"	Overall Height "C"	Press Box Length "D"	Press Box Width "E"	Press Box Height "F"(closed)	Press Box Opening "E" x "G"	Hopper Width "H"	Overall Width "J"	Bale Size ■
12 DC	181"	79"	82"	48"	21"	12"	21" x 48"	31"	145"	12" x 6" x V
16 DC	135"	90"	90"	58"	24"	12"	24" x 42"	24"	138"	12" x 8" x V
16 DCH	135"	90"	90"	57"	24"	12"	24" x 42"	24"	138"	12" x 6" x V
30 DC	240"	125"	112"	72"	30"	12"	30" x 72"	38"	180"	12" x 12" x V
60 DC	276"	150"	116"	112"	42"	14"	42" x 72"	42"	219"	14" x 14" x V
80 DC	300"	150"	116"	136"	42"	14"	42" x 96"	42"	219"	14" x 14" x V
100 DC	320"	166"	128"	138"	50"	16"	50" x 96"	42"	243"	16" x 16" x V

NOTE: All dimensions and specifications given are for general reference only and not for construction. Certified drawings are to be obtained from Galland Hennings' engineering department for construction and installation. Specifications are subject to change without notice and without incurring responsibility to units previously sold.



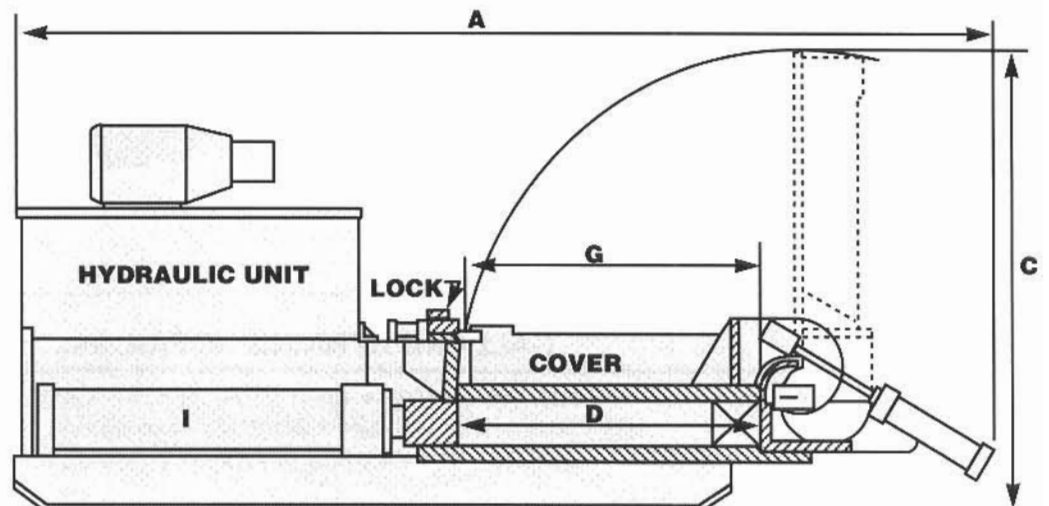
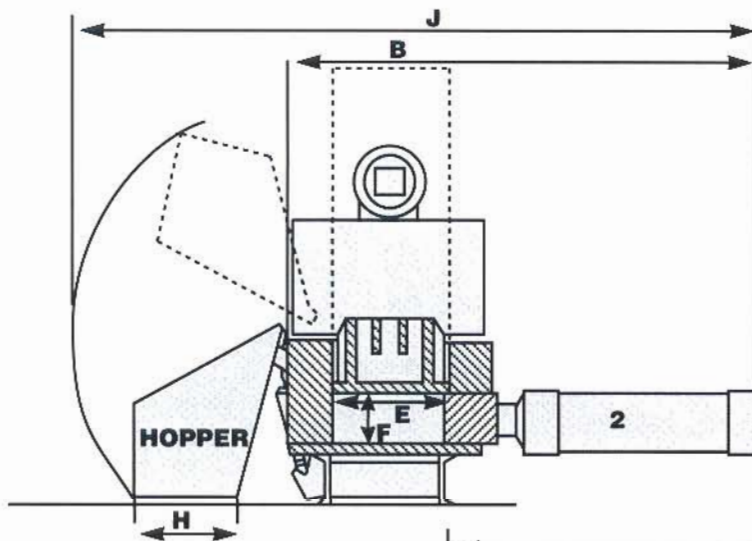


GENERAL SPECIFICATIONS AND DIMENSIONS

Average Bale Weight (Aluminum)	Cycle Time* (Sec.)	Bales Per Hour* (100% Eff.)	Horsepower* TEFC	Approx. Shipping Weight	Cylinder Bore and Force				
					1st Comp.	2nd Comp.	Bale Gate	Cover	Hopper
20 lbs.	45	80	25 1200 RPM	11,600	8" 50 Tons	8" 50 Tons	2½" 5 Tons	6" 28 Tons	¾" 8 Tons
27 lbs.	50	72	25 1200 RPM	15,500	8" 62 Tons	10" 98 Tons	4" 15 Tons	6" 35 Tons	¾" 10 Tons
27lbs.	50	72	25 1200 RPM	15,500	8" 75 Tons	10" 118 Tons	4" 15 Tons	6" 42 Tons	¾" 10 Tons
50 lbs.	50	72	50 1200 RPM	31,000	10" 94 Tons	12" 135 Tons	4" 15 Tons	8" 62 Tons	¾" 10 Tons
100 lbs.	60	60	75 1200 RPM	55,000	14" 192 Tons	14" 192 Tons	5" 24 Tons	8" 62 Tons	¾" 10 Tons
100 lbs.	65	55	75 1200 RPM	64,000	14" 192 Tons	14" 192 Tons	5" 24 Tons	8" 62 Tons	4" 15 Tons
125 lbs.	60	60	100 1200 RPM	70,000	14" 192 Tons	16" 251 Tons	5" 24 Tons	10" 94 Tons	4" 15 Tons

■ Bale sizes other than those listed are available to meet specific requirements.

* Horsepower and cycle times (bales/hour) other than those listed are available.



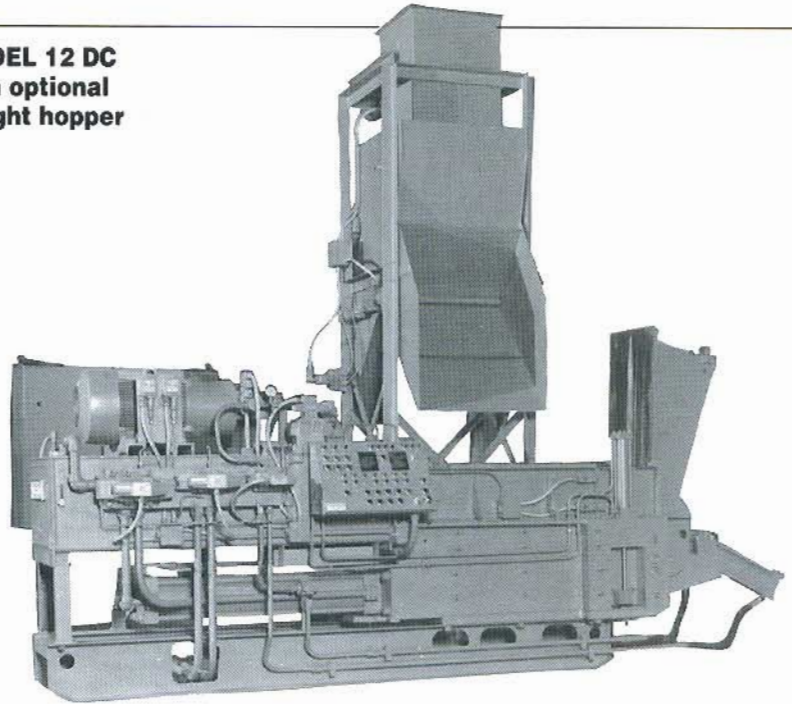


GH DUAL COMPRESSION BALERS

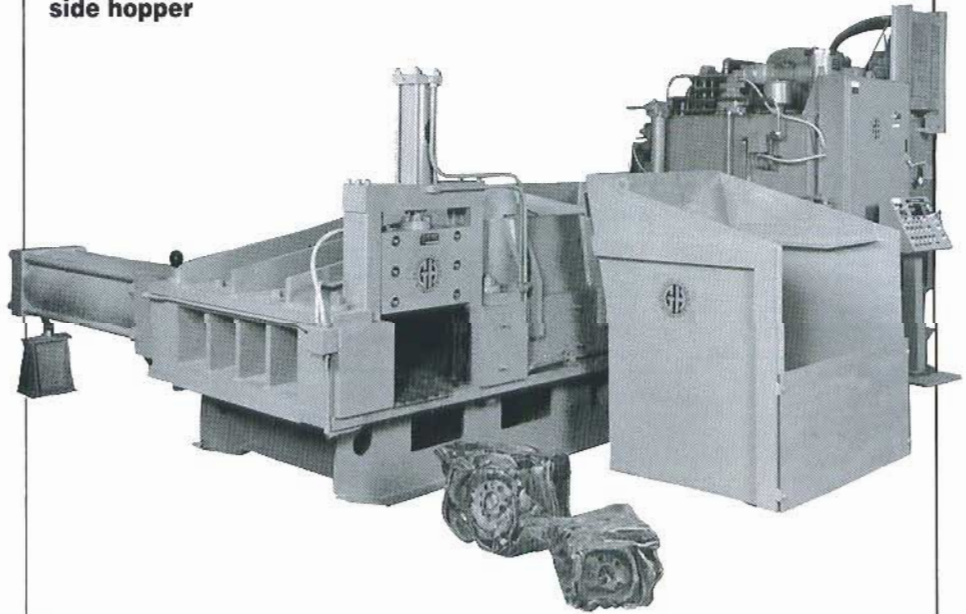
Tough versatile balers for non-ferrous, light steel clippings and fluffy scrap. All models are economical to operate and easy to maintain.

- Skid Mounted and easily moved with no special foundation required.
- Compact and completely self-contained.
- Patented vertical self-cleaning gate is designed to prevent jams due to occasional overcharging.
- Side ejection of bale promotes self-cleaning and is an advantage when baling various alloys.
- Corrugated liner plates are bolted for easy replacement.
- Programmable controls designed for efficient operator use.
- Hydraulic pumping unit provides fast, cool and quiet operation with minimum power loss.
- Built with tough and dependable NOPAK cylinders.
- Optional side hopper or elevated weight hopper available.

**MODEL 12 DC
with optional
weight hopper**



**MODEL 60 DC
with optional
side hopper**



GALLAND HENNING NOPAK, Inc.

P.O. Box 343917 ■ West Milwaukee, WI 53234
1025 South 40th Street ■ West Milwaukee, WI 53215
PHONE: 414-645-6000 ■ FAX: 414-645-6048